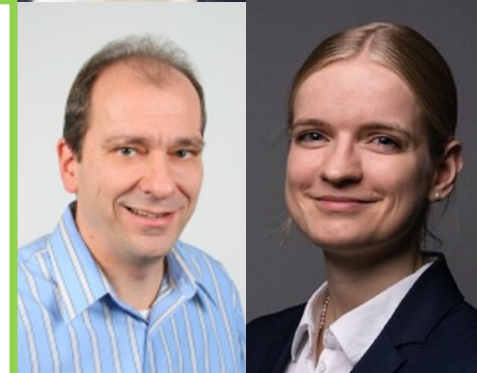
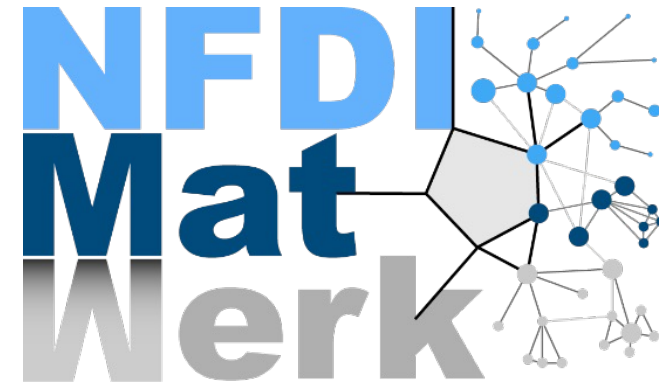




National Research Data Infrastructure for Materials Science & Engineering

Task Area
Community Interaction



Strategy

MSE Community

Materials Infrastructure

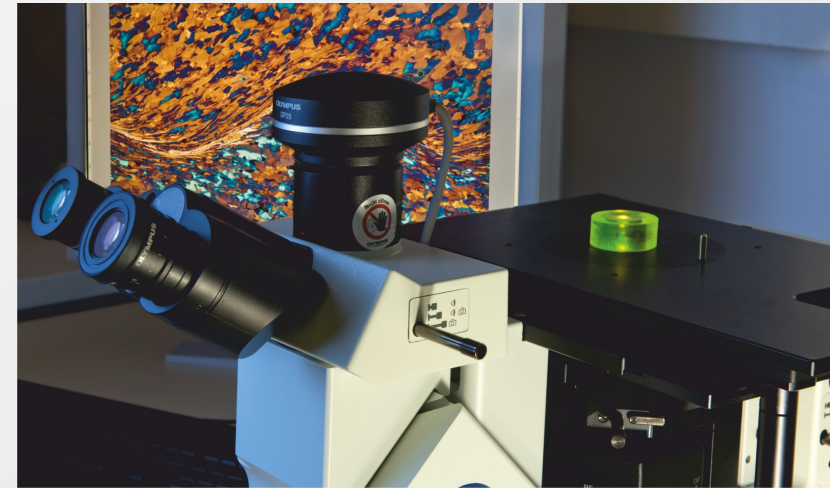
Software and Workflows

Materials Ontology

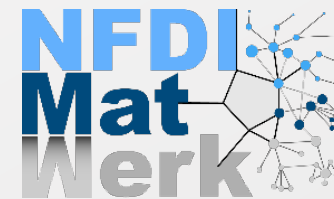
Electronic Laboratory Notebooks (ELNs) *What they are and why we need them*

In today's session, six ELNs are introduced and demonstrated by experts:

- eLabFTW
- openBIS
- PASTA
- Labfolder
- Chemotion
- NOMAD OASIS



Introductory Session ELNs: Agenda



13:00	Introduction	15:15	Session 2 <ul style="list-style-type: none">➤ PASTA➤ Labfolder➤ Chemotion
13:15	Session 1 <ul style="list-style-type: none">➤ NOMAD OASIS➤ eLabFTW➤ openBIS	16:30	Discussion & Evaluation Live Poll
15:00	Break & Live Poll	16:55	Conclusion & Outlook

Introductory Session on ELNs: Speakers



PASTA

Dr. Steffen
Brinckmann
*Forschungs-
zentrum
Jülich*



Chemotion

Dr. Nicole Jung
*Karlsruhe
Institute of
Technology*



openBIS

Dr. Caterina Barillari
ETH Zürich



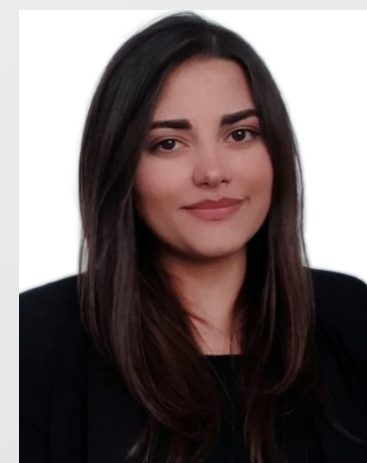
eLabFTW

Nicolas
Carpi
*CEO of
Deltablott*



NOMAD OASIS

Dr. Markus
Scheidgen
*FAIRmat,
Humboldt-
Universität zu
Berlin*



Labfolder

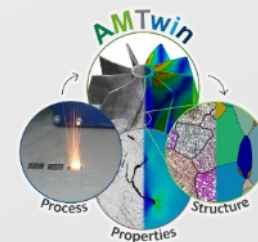
Sarah Yazigi
*Labforward
GmbH*

Introductory Session on ELNs: Dataset

Dataset provided from project AMTwin “Data-driven process, material and structural analysis for additive manufacturing”

01.01.2020 – 30.06.2022

Fraunhofer IWS, IKTS, IWU and TU Dresden



Europäische Union

Europa fördert Sachsen.
EFRE
Europäischer Fonds für
regionale Entwicklung



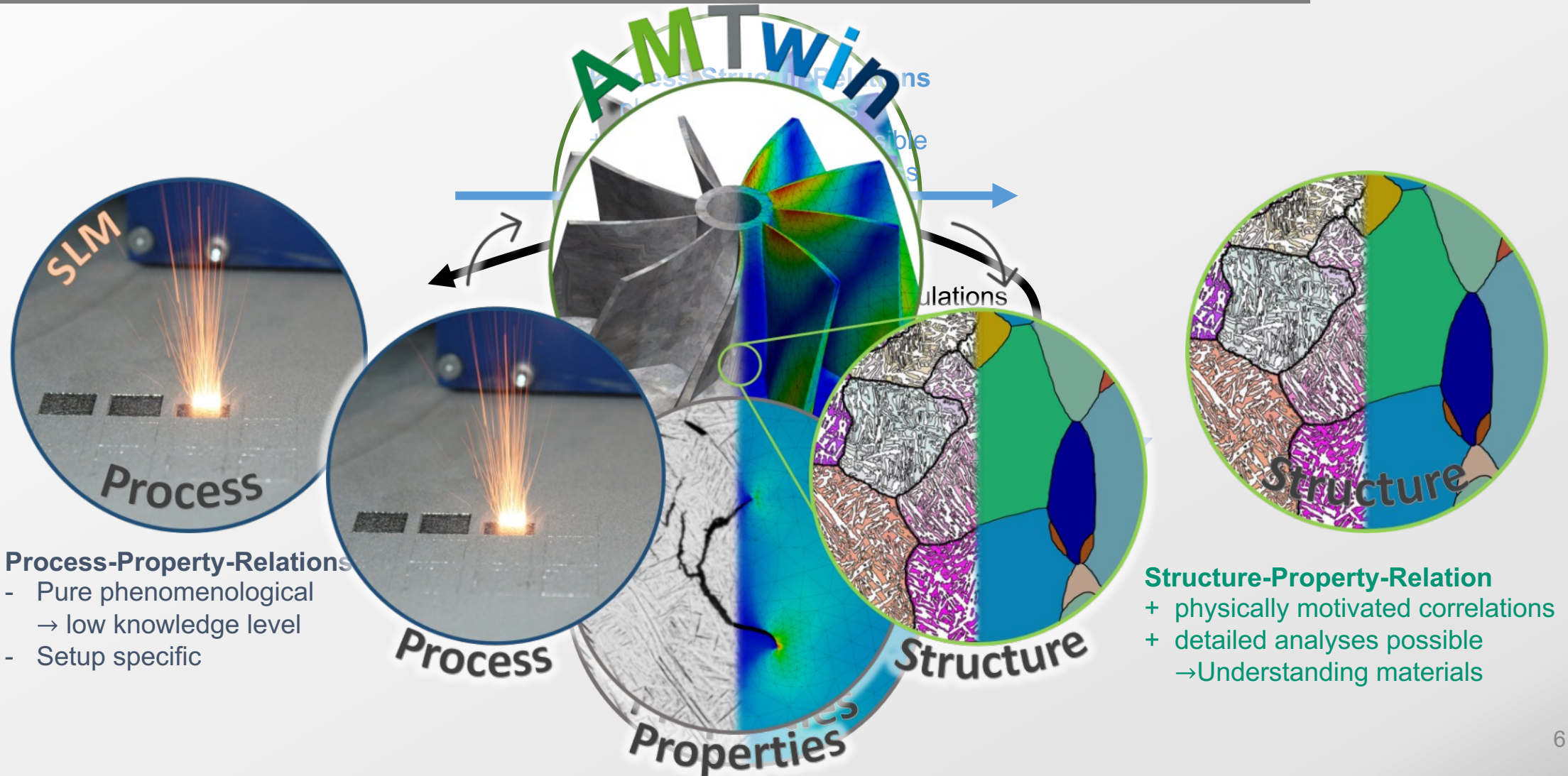
Diese Maßnahme wird mitfinanziert durch Steuermittel auf der Grundlage des vom Sächsischen Landtag beschlossenen Haushaltes.

Fraunhofer
IWS

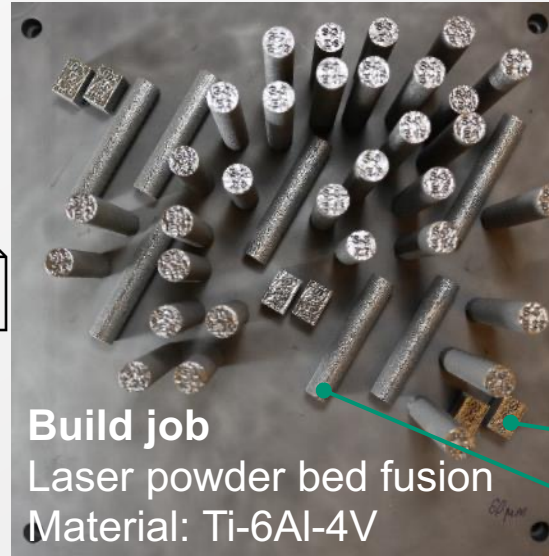
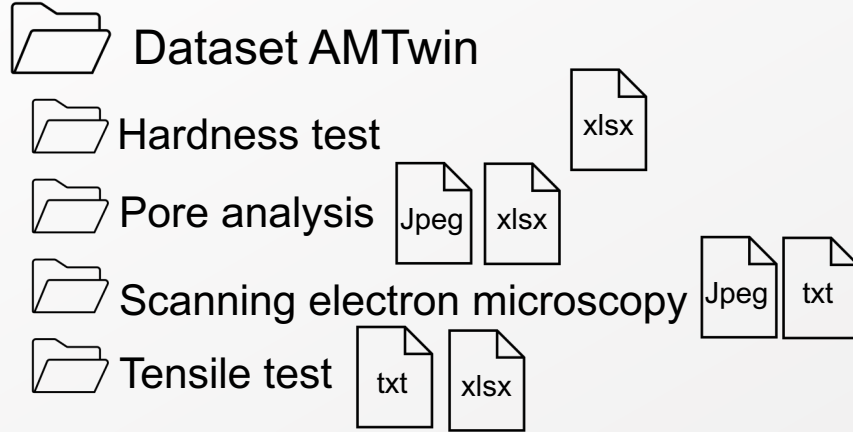
DRESDEN
concept



Introductory Session on ELNs: Dataset

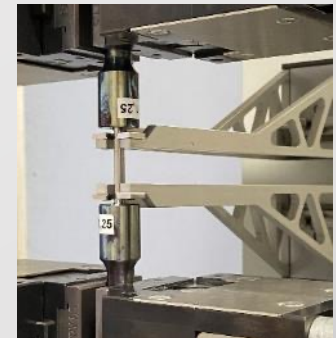
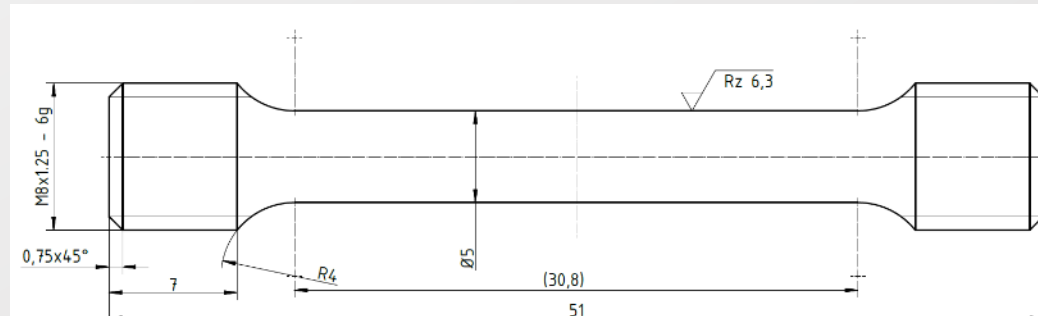
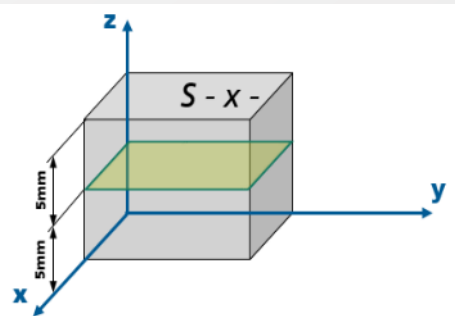
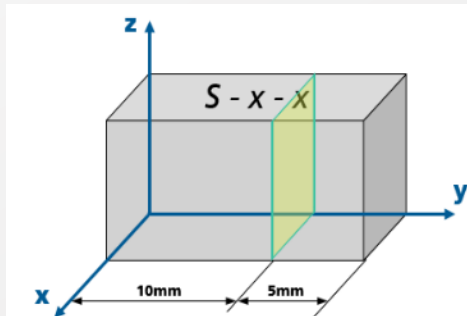


Introductory Session on ELNs: Dataset



batch 1 – Test-cuboids: AMT_0595
30 μm layer thickness / 200 W / 850 mm/s
stress relieved (550 $^{\circ}\text{C}$ / 180 min / Ar / furnace cooling)

batch 6 – Test-cuboids: AMT_1140
25 μm layer thickness / 200 W / 1200 mm/s
HIP (920 $^{\circ}\text{C}$, 1000 bar / 120 min / Ar)



Session 1

- **NOMAD OASIS**

Dr. Markus Scheidgen, FAIRmat, Humboldt Universität zu Berlin

- **eLabFTW**

Nicolas Carpi, CEO of Deltablot

- **openBIS**

Dr. Caterina Barillari, ETH Zürich

BREAK & Live Poll



Please take two minutes for our live survey.
The result will be shown at the beginning of the discussion.

We will meet at 3:00 pm.

Session 2

➤ **PASTA**

Dr. Steffen Brinckmann, Forschungszentrum Jülich

➤ **Labfolder**

Sarah Yazigi, Labforward GmbH

➤ **Chemotion**

Dr. Nicole Jung, KIT

Introductory Session on ELNs: Live Poll

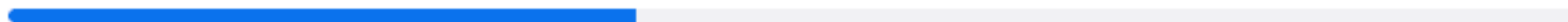
Live Poll: Your Experiences with ELNs

Umfrage ist beendet | 4 Fragen | 113 von 143 (79%) haben teilgenommen

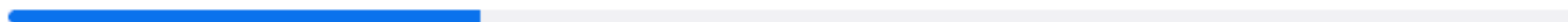
1. Please indicate the nature of the MSE research in your group on a scale from 1 to 5. (Einzelne Wahl) *

113/113 (100%) Beantwortet

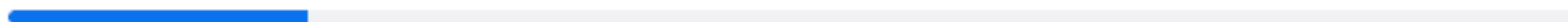
1 (mostly experimental) (45/113) 40%



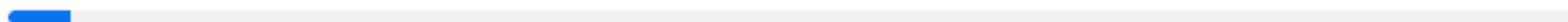
2 (34/113) 30%



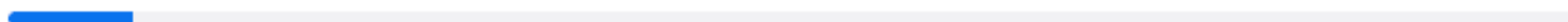
3 (21/113) 19%



4 (4/113) 4%



5 (mostly simulations/modelling/computational) (9/113) 8%



2. Are you already using one of the following ELNs? (Mehrfachauswahl) *

113/113 (100%) Beantwortet



3. If you are already using or currently introducing an ELN, on which level are you doing that? (Einzelne Wahl) *

113/113 (100%) Beantwortet

institutional (university or whole institute) (35/113) 31%

department (8/113) 7%

chair of comparable (18/113) 16%

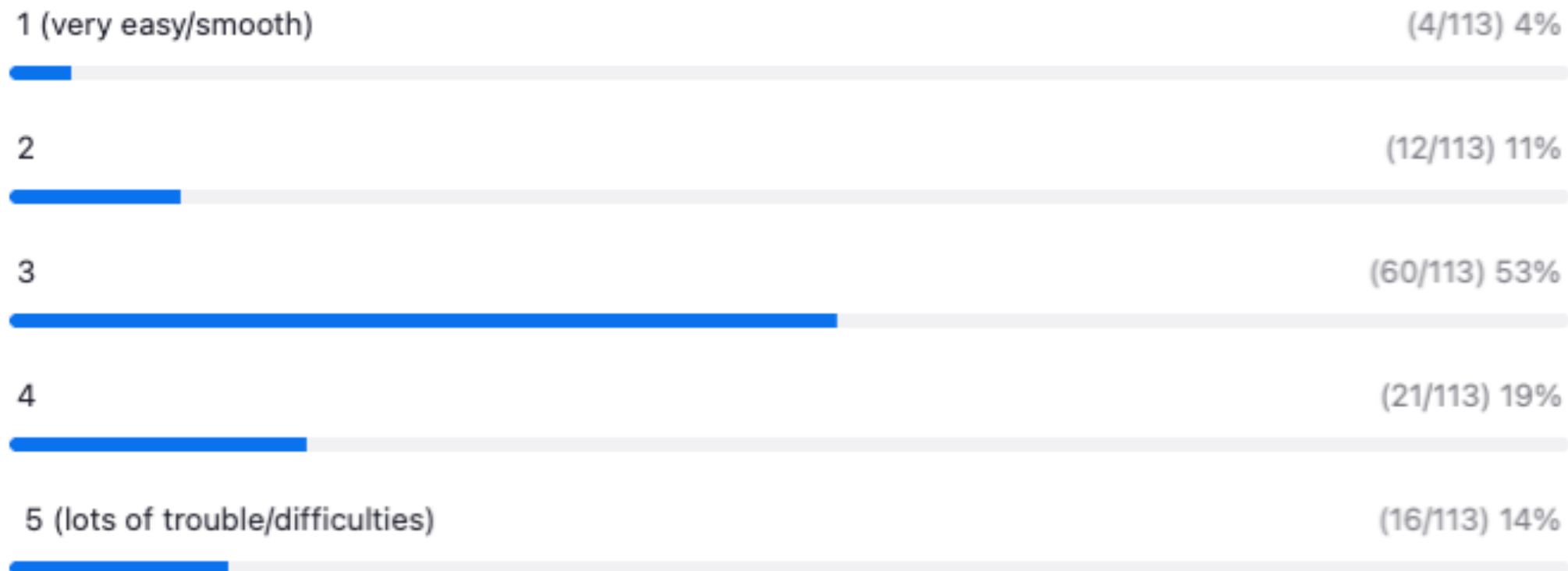
smaller working group inside a chair or comparable (19/113) 17%

not using an ELN at the moment (30/113) 27%

other (3/113) 3%

4. Please tell us how easy and smooth the introduction of your currently used ELN system was on a scale from 1 to 5. (Einzelne Wahl) *

113/113 (100%) Beantwortet



Introductory Session on ELNs: Outlook

Are you interested in a regular exchange on one or more ELNs?

Send an email to:



info@nfdi-matwerk.de